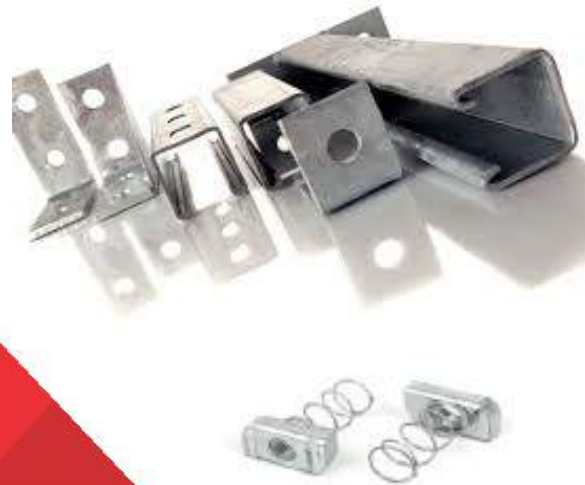




Eastman IMPEX

**METAL
FRAMING &
FASTENING
TECHNOLOGY**



COMPANY PROFILE: Eastman Impex is a global company, established in year 1996 and it has been accredited with ISO 9001: 2008.

Since 1996 group is growing with increasing trend every year and now it comprises of two main manufacturing plants in Ludhiana (India) as well as manufacturing partners in China and warehouse / offices in abroad.

Being a professional company, having upgraded infrastructure in manufacturing and accredited by process certification like EN1090, EN18800 and ISO 3834 (from SLV Mannheim, Germany). Eastman Impex is always a preferred source in global and domestic construction industry.

Under one roof group provides Design and Development, Quality labs, Standard room, Fabrication, Pressed steel, Forging and Casting. At every level, Eastman Impex has qualified and experienced work force that strictly follow the systems and customer requirements.

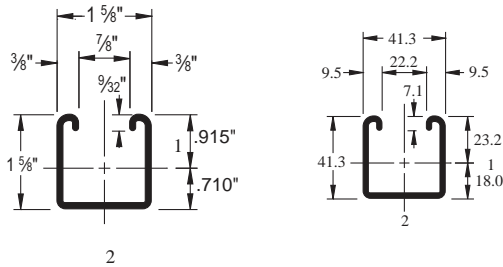
Our pursuit of excellence is our determination to strive inexorably, to become the best. We have been felicitated by Government of India with Awards of Excellence towards our significant contribution to engineering industry.

MILESTONES:

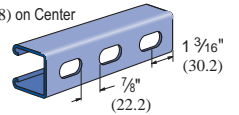
- » Establishment of Eastman Impex---Year 1996.
- » Establishment of Fabrication & Forging unit--- Year 1997.
- » Accredited with ISO certification in unit no. 1---Year 1999.
- » Accredited with TS 16949 certification from UL, USA---Year 2005.
- » Entered in new venture of casting and die casting---Year 2006.
- » Accredited with EN 18800 & ISO 3834 (Welding Certification)--- Year 2009.
- » Expansion of Fabrication & Machining area (CNC/VMC) in unit no. 1--- Year 2009.
- » Accredited with EN1090 (from SLV Mannheim, Germany)--- Year 2014.
- » Establishment of Eastman Exports limited as a Unit No.2 for production of Scaffolding & Formwork Fencing--
-Year 2014.
- » Establishment of Automatic High Pressure Castings plant BDJN Castings ---Year 2015.



STRUT CHANNEL



Slots Pattern
 1 1/8" (28.6) x 9/16" (14.3)
 2" (50.8) on Center



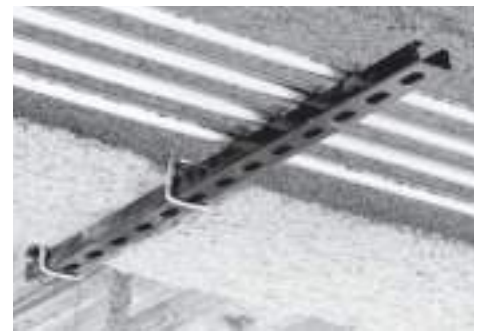
BEAM-LOADING

Wt/100 Ft: 189 Lbs (281 kg/100 m)
 12 Gauge Nominal Thickness .105" (2.7mm)

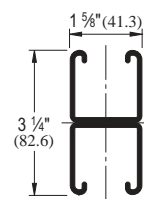
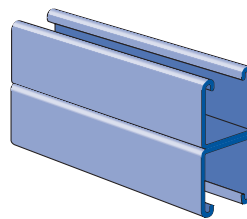
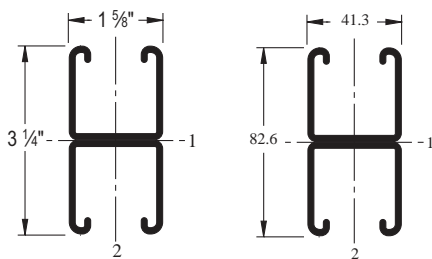
Span In	Max. Allowable Uniform Load Lbs	Defl. at Uniform Load In	Uniform Loading at Deflection		
			Span/180 Lbs	Span/240 Lbs	Span/360 Lbs
24	1,690	0.06	1,690	1,690	1,690
36	1,130	0.13	1,130	1,130	900
48	850	0.22	850	760	500
60	680	0.35	650	480	320
72	560	0.50	450	340	220
84	480	0.68	330	250	160
96	420	0.89	250	190	130
108	380	1.14	200	150	100
120	340	1.40	160	120	80
144	280	2.00	110	80	60
168	240	2.72	80	60	40
192	210	3.55	60	50	NR
216	190	4.58	50	40	NR
240	170	5.62	40	NR	NR

COLUMN-LOADING

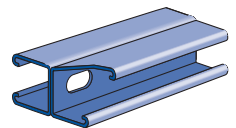
Unbraced Height In	Max. Allowable Load at Slot Face Lbs	Maximum Column Load Applied at C.G.			
		K = 0.65 Lbs	K = 0.80 Lbs	K = 1.0 Lbs	K = 1.2 Lbs
24	3,550	10,740	9,890	8,770	7,740
36	3,190	8,910	7,740	6,390	5,310
48	2,770	7,260	6,010	4,690	3,800
60	2,380	5,910	4,690	3,630	2,960
72	2,080	4,840	3,800	2,960	2,400
84	1,860	4,040	3,200	2,480	1,980
96	1,670	3,480	2,750	2,110	1,660
108	1,510	3,050	2,400	1,810	**
120	1,380	2,700	2,110	**	**
144	1,150	2,180	1,660	**	**



BACK TO BACK STRUT CHANNEL



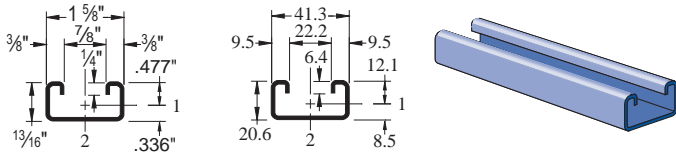
Slots Pattern
 1 1/8" (28.6) x 9/16" (14.3)
 2" (50.8) on Center



Wt/100 Ft: 378 Lbs (562 kg/100 m)
 12 Gauge Nominal Thickness .105" (2.7mm)



STRUT CHANNEL



Wt/100 Ft: 98 Lbs (147 kg/100 m)
14 Gauge Nominal Thickness .075" (1.9mm)



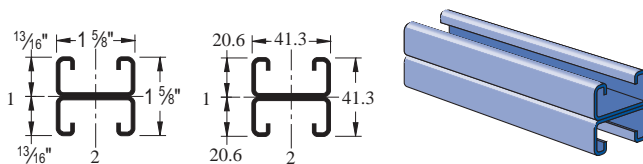
BEAM-LOADING

Span In	Max Allowable Uniform Load Lbs	Defl. at Uniform Load In	Uniform Loading at Deflection		
			Span/180 Lbs	Span/240 Lbs	Span/360 Lbs
24	450	0.11	450	420	280
36	300	0.24	250	190	130
48	230	0.44	140	110	70
60	180	0.67	90	70	50
72	150	0.96	60	50	30
84	130	1.32	50	30	20
96	110	1.67	40	30	20
108	100	2.16	30	20	10
120	90	2.67	20	20	10
144	80	4.09	20	NA	NA
168	60	4.88	NA	NA	NA
192	60	7.28	NA	NA	NA
216	50	8.64	NA	NA	NA
240	50	11.85	NA	NA	NA

COLUMN-LOADING

Unbraced Height In	Maximum Allowable Load at Slot Face Lbs	Maximum Column Load Applied at C.G.			
		K = 0.65 Lbs	K = 0.80 Lbs	K = 1.0 Lbs	K = 1.2 Lbs
24	1,840	5,610	5,210	4,570	3,850
36	1,640	4,660	3,850	2,800	1,960
48	1,310	3,490	2,480	1,590	1,100
60	1,000	2,400	1,590	**	**
72	770	1,670	1,100	**	**

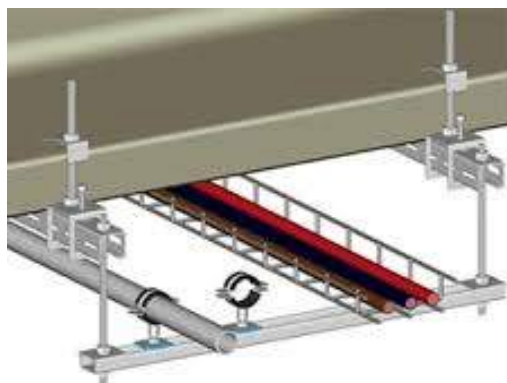
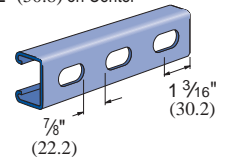
BACK TO BACK STRUT CHANNEL



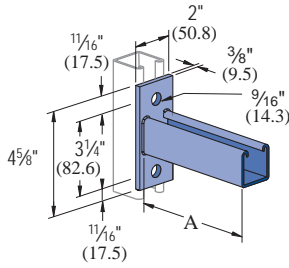
Wt/100 Ft: 197 Lbs (293 kg/100 m)
14 Gauge Nominal Thickness .075" (1.9mm)



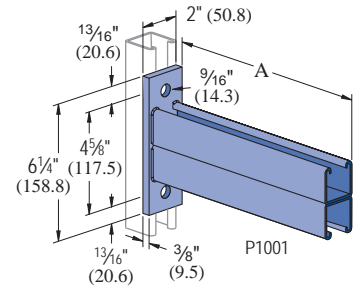
Slots Pattern
1 1/8" (28.6) x 9/16" (14.3)
2" (50.8) on Center



STRUT BRACKETS



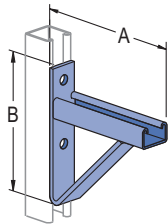
EI-2001



EI-3001

Part Number	"A" In (mm)	Wt/100 pcs Lbs (kg)	Uniform Load* Lbs (kN)
EI-2001	6	185	1200
	152.4	84	5.34
EI-2002	12	293	600
	304.8	133	2.67
EI-2003	18	401	400
	457.2	182	1.78
EI-2004	24	509	300
	609.6	231	1.33

Part Number	"A" In (mm)	Wt/100 pcs Lbs (kg)	Vertical Channel		Uniform Design Load Lbs (kN)
			Part No.	Gauge	
EI-3001	12 304.8	502 228	P1000	12	2,000 (8.90)
			P1100	14	1,400 (6.23)
			P2000	16	1,000 (4.45)
EI-3002	18 457.2	692 314	P1000	12	1,300 (5.78)
			P1100	14	900 (4.00)
			P2000	16	650 (2.89)
EI-3003	24 609.6	882 400	P1000	12	1,000 (4.45)
			P1100	14	700 (3.11)
			P2000	16	500 (2.22)
EI-3004	30 762.0	1,072 486	P1000	12	800 (3.56)
			P1100	14	560 (2.49)
			P2000	16	400 (1.78)
EI-3005	36 914.4	1,262 572	P1000	12	650 (2.89)
			P1100	14	450 (2.00)
			P2000	16	320 (1.42)



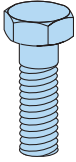
EI-4001



Part Number	"A" In (mm)	"B" In (mm)	Wt/100 pcs Lbs (kg)	Uniform Load* Lbs (kN)
EI-4001	15	8 3/4	420	1,000
	381.0	222	190.5	4.45
EI-4002	21	8 3/4	628	1,000
	533.4	222	284.9	4.45
EI-4003	27	11 1/4	860	900
	685.8	286	390.1	4.00
EI-4004	33	11 1/4	1010	900
	838.2	286	458.1	4.00
EI-4005	39	16	1257	800
	990.6	406.4	683.3	3.56



HEX HEAD CAP SCREWS



Part No.	Size
EH-101	1/4" x 3/4"
EH102	1/4" x 1 1/4"
E-103	3/8" x 7/8"
EH-104	3/8" x 1 1/4"
EH-105	1/2" x 1 1/4"
EH-106	1/2" x 1 1/2"



* Assembled parts employ this bolt so the fitting will work with any channel depth.

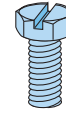
HEXAGON NUTS



Part No.	Size
EH-107	1/4"
EH-108	3/8"
EH-10	1/2"



MACHINE SCREWS



Part No.	Size
EH-116	1/4" x 3/4"
EH-117	5/16" x 1"
EH-118	3/8" x 1 1/4"

SQUARE NUTS



Part No.	Size
EH-11	1/4"
EH-120	3/8"

LOCK WASHERS



Part No.	Size
EH-121	1/4"
EH-122	3/8"
EH-123	1/2"

FLAT WASHERS



Part No.	Size
EH-110	1/4"
EH-111	3/8"
EH-112	1/2"

CHANNEL NUT WITHOUT SPRING



Part No.	Nut Size Thread
EH-124	1/4" - 20
EH-125	3/8" - 16
EH-126	1/2" - 13

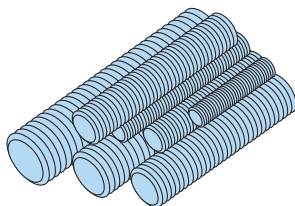
STEEL THREADED ROD



Part No.	Size
EH-113	1/4" x 20
EH-114	3/8" x 16
EH-115	1/2" x 13

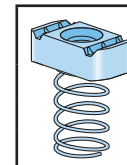
Standard Length 10' (3.0m)

Low Carbon Steel
 $F_y = 32,000$ psi minimum
 $F_t = 52,000$ psi minimum

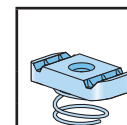


Use with any channel

CHANNEL NUT WITH SPRING

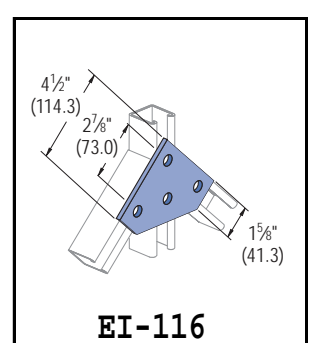
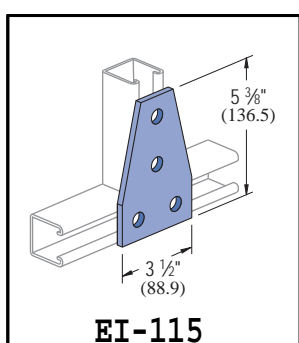
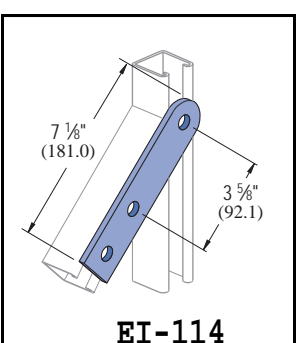
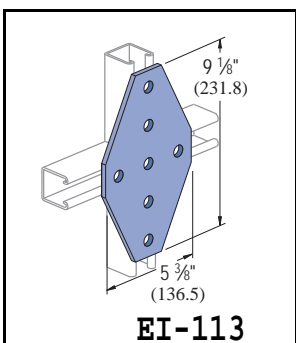
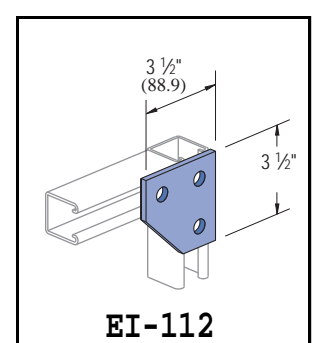
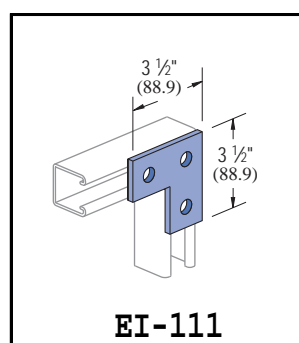
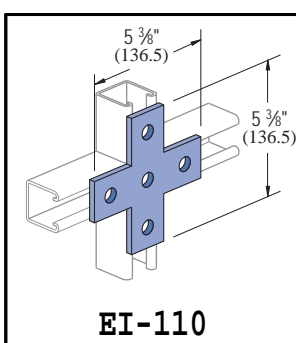
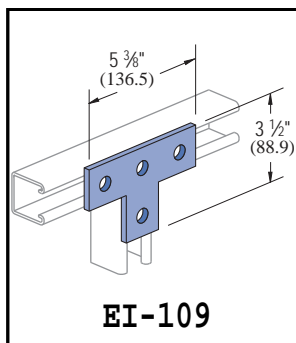
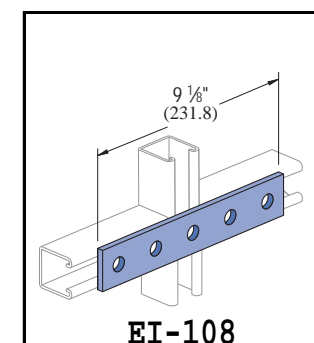
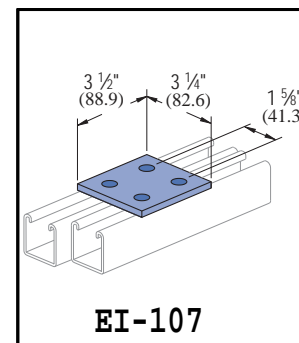
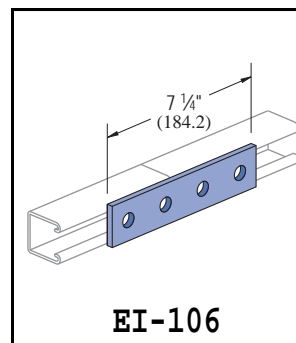
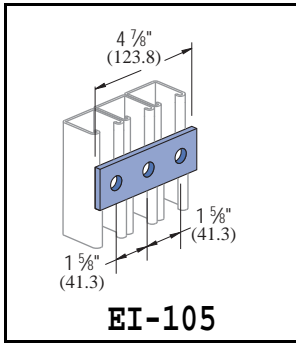
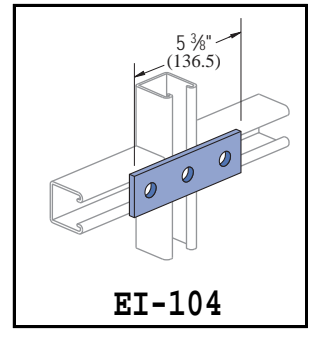
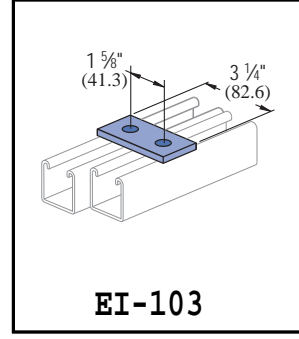
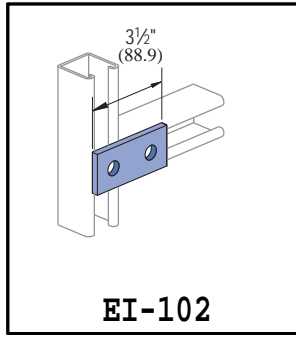
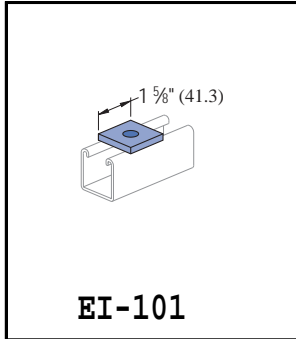


Part No.	Nut Size Thread
EH-127	1/4" - 20
EH-128	3/8" - 16
EH-12	1/2" - 13

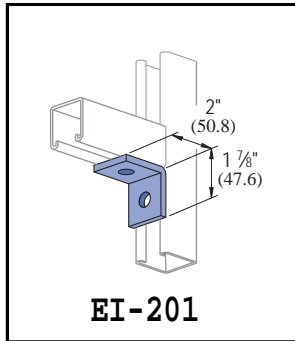


Part No.	Nut Size Thread
EH-130	1/4" - 20
EH-131	3/8" - 16
EH-132	1/2" - 13

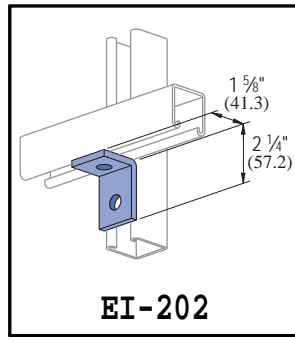




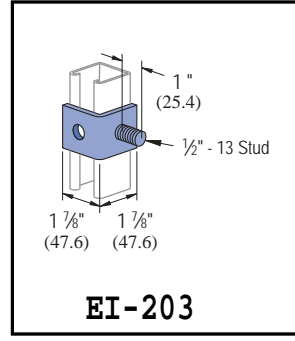
90° ANGLE FITTINGS



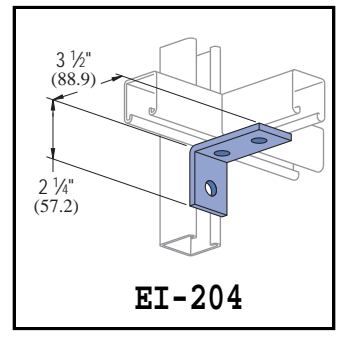
EI-201



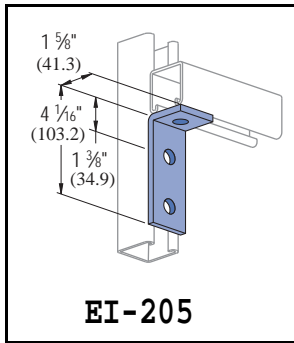
EI-202



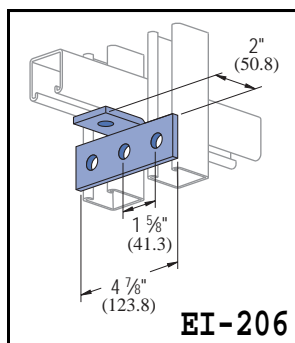
EI-203



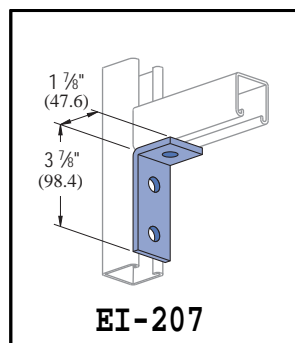
EI-204



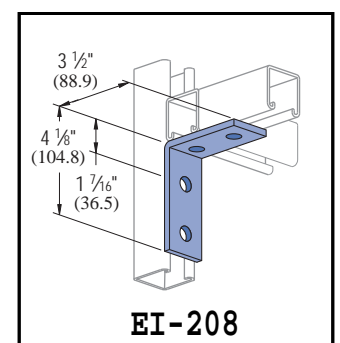
EI-205



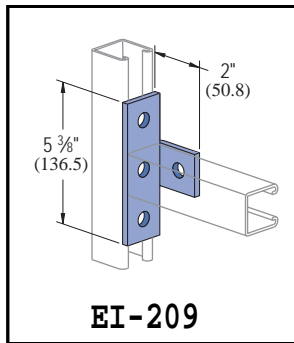
EI-206



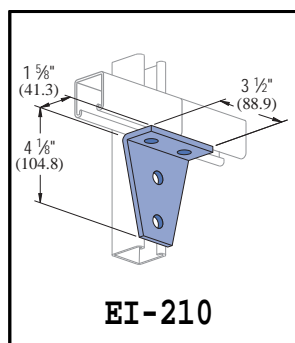
EI-207



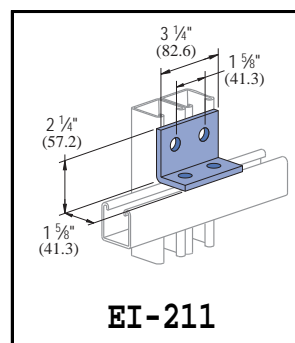
EI-208



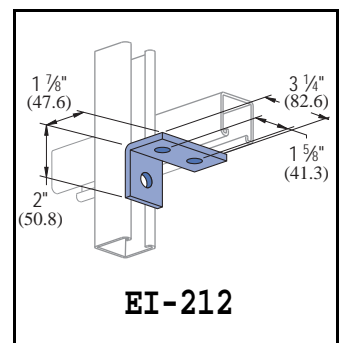
EI-209



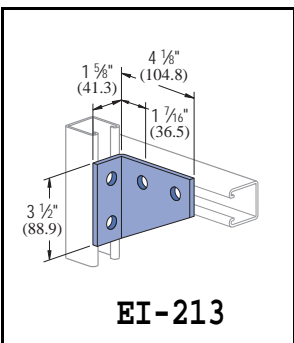
EI-210



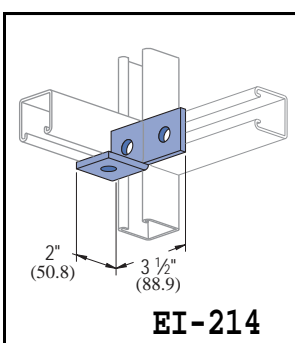
EI-211



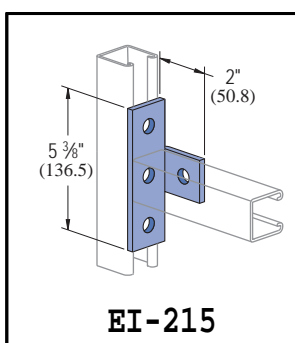
EI-212



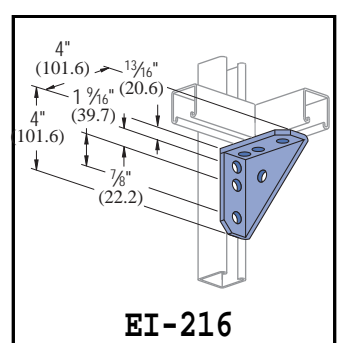
EI-213



EI-214

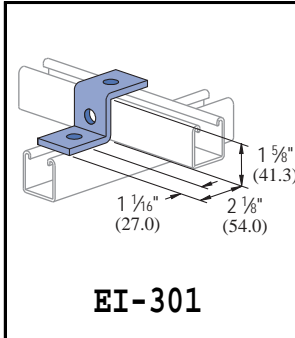


EI-215

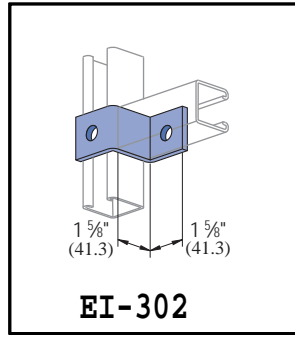


EI-216

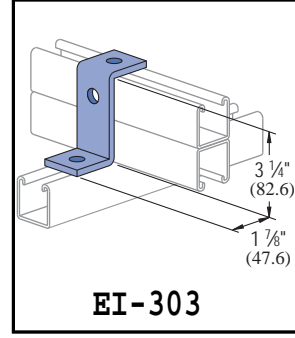
Z' BUNTINGS



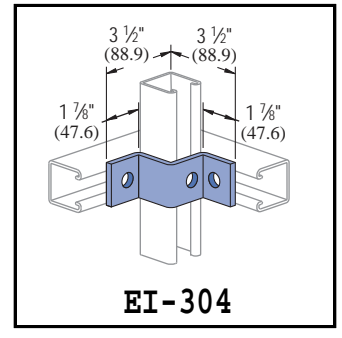
EI-301



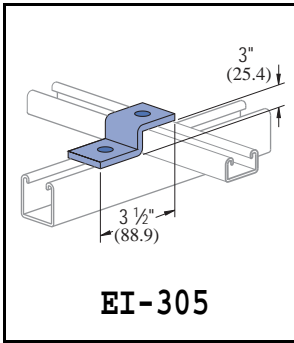
EI-302



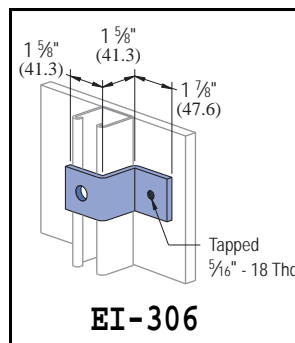
EI-303



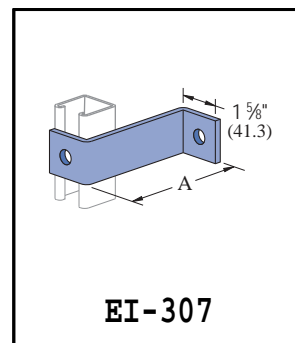
EI-304



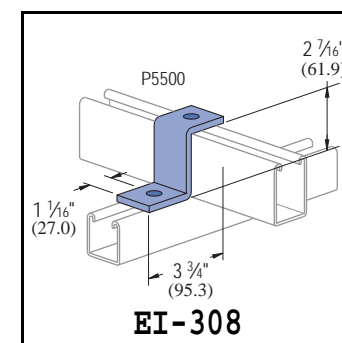
EI-305



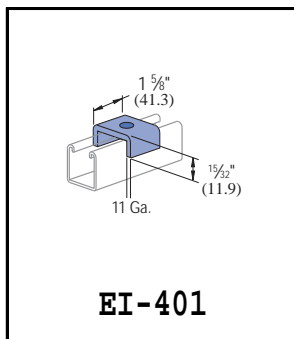
EI-306



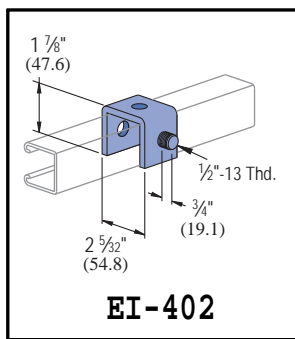
EI-307



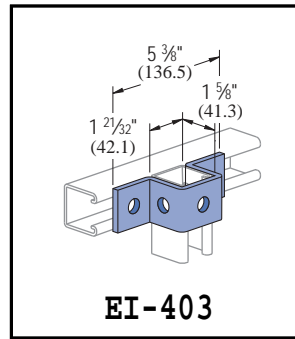
EI-308



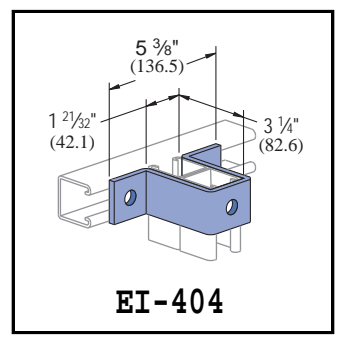
EI-401



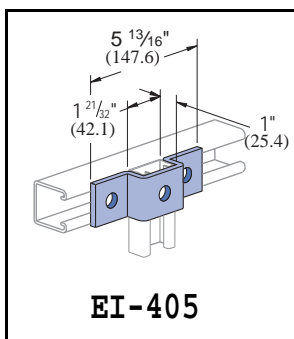
EI-402



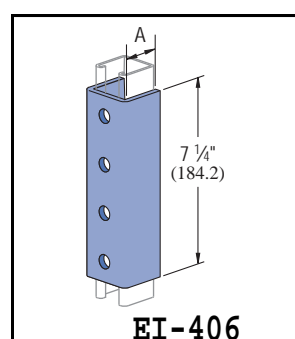
EI-403



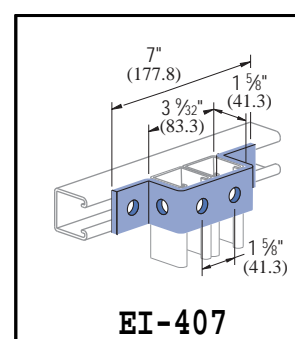
EI-404



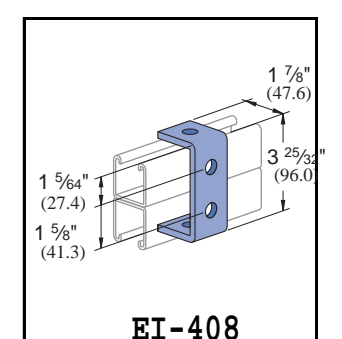
EI-405



EI-406

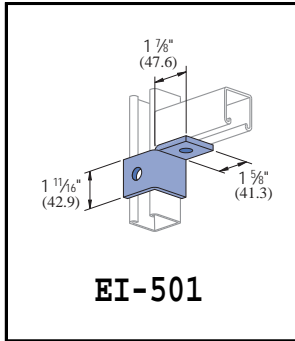


EI-407

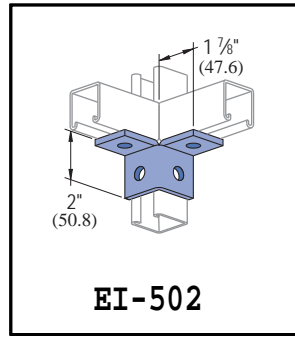


EI-408

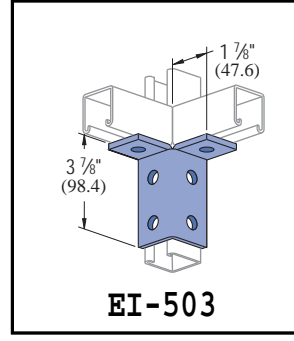
POST BASES WING FITTINGS



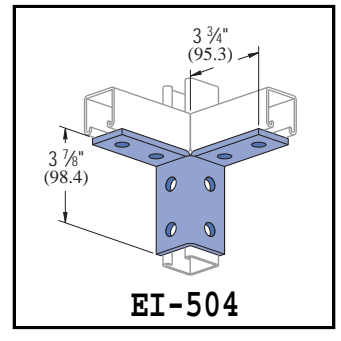
EI-501



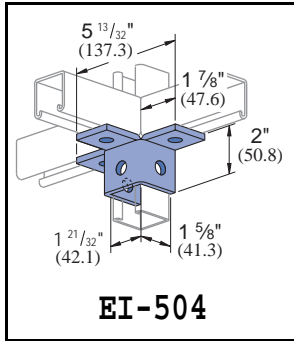
EI-502



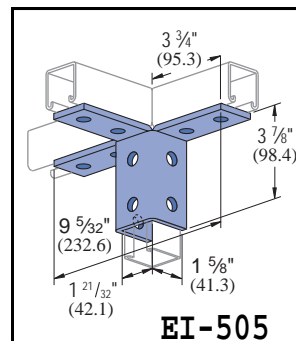
EI-503



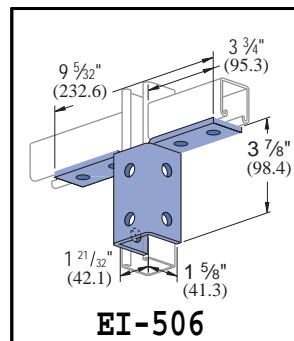
EI-504



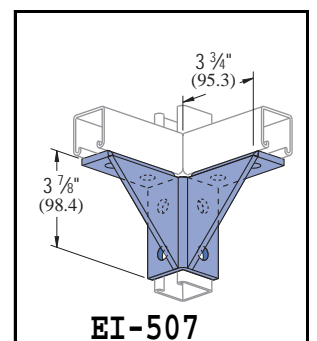
EI-504



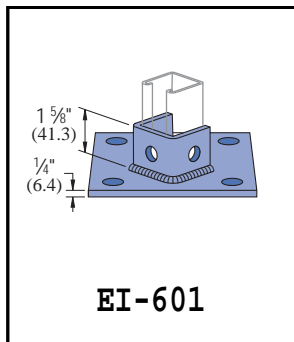
EI-505



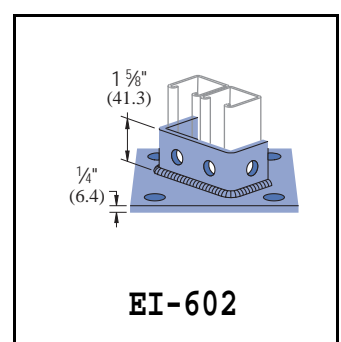
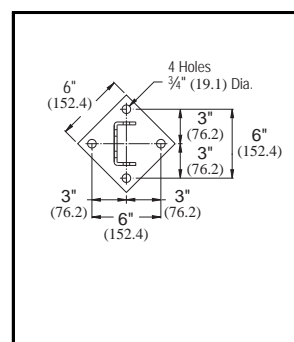
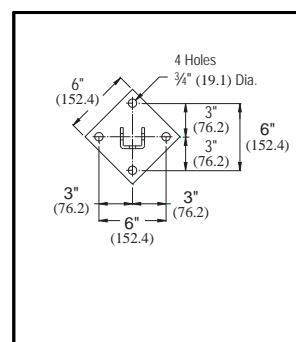
EI-506



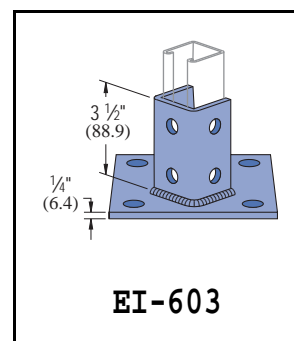
EI-507



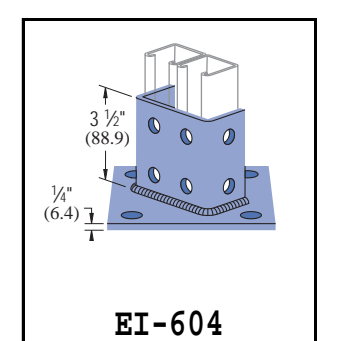
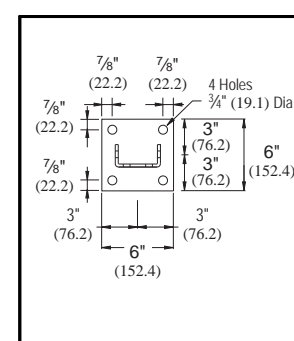
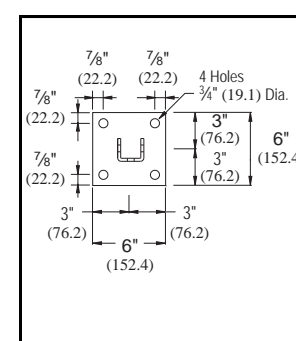
EI-601



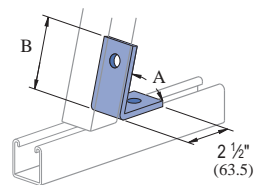
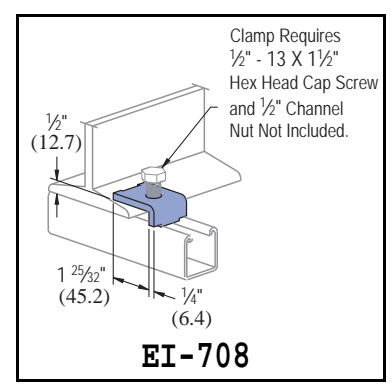
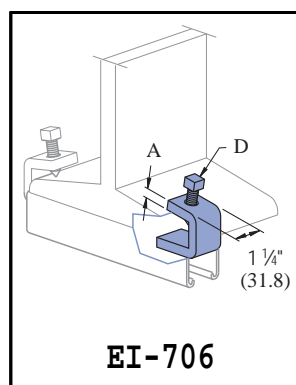
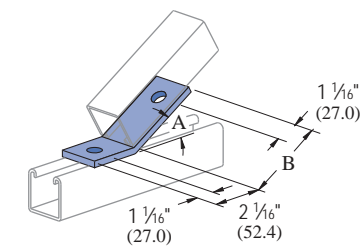
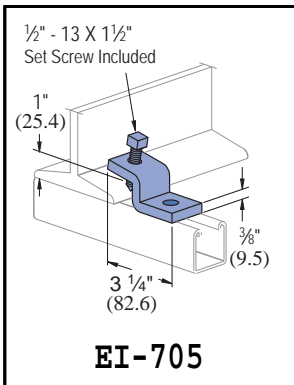
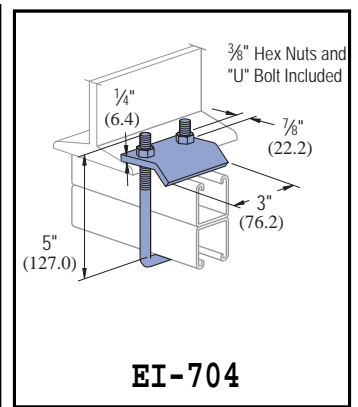
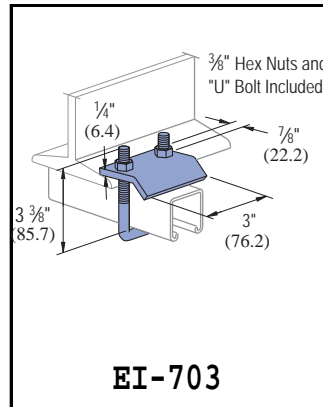
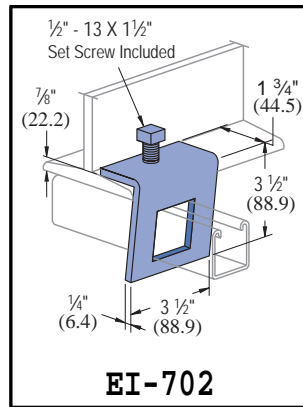
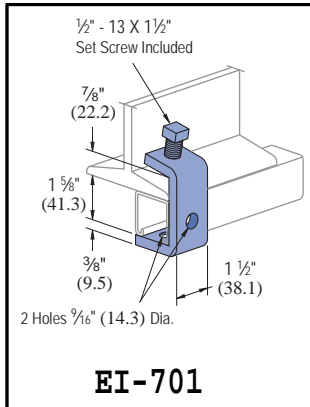
EI-602



EI-603



EI-604



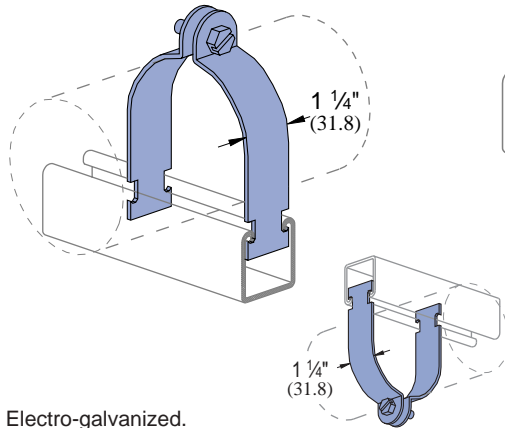
EI-801

Part Number	"A"		"B"	
	Degree	rad	In	mm
EI-802	30°	.17	3/4	82.6
EI-803	22 1/2°	.13	3 5/16	84.1
EI-804	15°	.08	3 5/16	84.1
EI-805	7 1/2°	.04	3 5/16	84.1

Part Number	"A"		"B"	
	Degree	rad	In	mm
EI-807	82 1/2°	.46	3 3/16	81.0
EI-808	75°	.42	3 3/16	81.0
EI-809	67 1/2°	.38	3 1/8	79.4
EI-810	60°	.33	3 1/8	79.4
EI-811	52 1/2°	.29	3 1/16	77.8
EI-812	45°	.25	3 1/8	79.4
EI-813	37 1/2°	.21	3	76.2

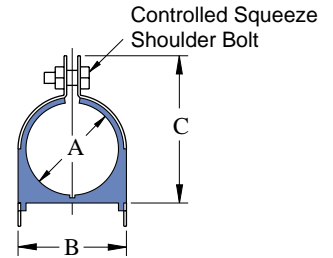
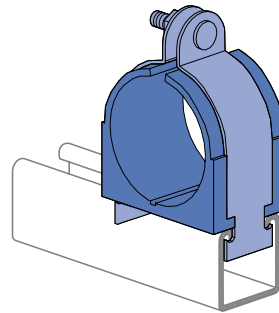
EI-806

STRUT FIT CLAMP



Finish: Electro-galvanized.

CUSH-A-CLAMP ASSEMBLY



Clamp: Electro-galvanized or stainless steel.
 Cushion: Thermoplastic elastomer. (UV Resistant)
 Includes cushion, clamp and hardware.
 Temperature Rating:
 -50°F to +275°F (-45°C to +135°C)
 Insert Width: 1.56" (39.6)

Part Number	O.D. Size	
	In	mm
EI-1001	1/4	6.4
EI-1002	3/8	9.5
EI-1003	1/2	12.7
EI-1004	5/8	15.9
EI-1005	3/4	19.1
EI-1006	7/8	22.2
EI-1007	1	25.4
EI-1008	1 1/8	28.6
EI-1009	1 1/4	31.8
EI-1010	1 3/8	34.9
EI-1011	1 1/2	38.1
EI-1012	1 5/8	41.3
EI-1013	1 3/4	44.5
EI-1014	1 7/8	47.6
EI-1015	2	50.8
EI-1016	2 1/8	54.0
EI-1017	2 1/4	57.2
EI-1018	2 3/8	60.3
EI-1019	2 1/2	63.5
EI-1020	2 5/8	66.7
EI-1021	2 3/4	69.9
EI-1022	2 7/8	73.0
EI-1023	3	76.2
EI-1024	3 1/8	79.4
EI-1025	3 1/4	82.6
EI-1026	3 3/8	85.7
EI-1027	3 1/2	88.9
EI-1028	3 5/8	92.1
EI-1029	3 3/4	95.3
EI-1030	3 7/8	98.4
EI-1031	4	101.6
EI-1032	4 1/8	104.8
EI-1033	4 1/4	108.0
EI-1034	4 3/8	111.1

Part Number	O.D. Size	
	In	mm
EI-1035	4 1/2	114.3
EI-1036	4 5/8	117.5
EI-1037	4 3/4	120.7
EI-1038	4 7/8	123.8
EI-1039	5	127.0
EI-1040	5 1/8	130.2
EI-1041	5 1/4	133.4
EI-1042	5 3/8	136.5
EI-1043	5 1/2	139.7
EI-1044	5 5/8	142.9
EI-1045	5 3/4	146.1
EI-1046	5 7/8	149.2
EI-1047	6	152.4
EI-1048	6 1/8	155.6
EI-1049	6 1/4	158.8
EI-1050	6 3/8	161.9
EI-1051	6 1/2	165.1
EI-1052	6 5/8	168.3
EI-1053	6 3/4	171.5
EI-1054	6 7/8	174.6
EI-1055	7	177.8
EI-1056	7 1/8	181.0
EI-1057	7 1/4	184.2
EI-1058	7 3/8	187.3
EI-1059	7 1/2	190.5
EI-1060	7 5/8	193.7
EI-1061	7 3/4	196.9
EI-1062	7 7/8	200.0
EI-1063	8	203.2
EI-1064	8 1/8	206.4
EI-1065	8 1/4	209.6
EI-1066	8 3/8	212.7
EI-1067	8 1/2	215.9
EI-1068	8 5/8	219.1



Clevis Clamp



Riser Clamp



Rubber Lined Clevis Clamp



Sprinkler Clamp



Rubber Lined Split Pipe Clamp



Purlin Clip



Industrial Area-C, Dhandari Kalan

Ludhiana-141010 (INDIA)

Phone : +91-161-3044000, 2511601-605

Fax No.: +91-161- 2511600, 5066360

Email:- anil@eastmanimpex.com

fastening.na@eastmanimpex.com

Web:- www.eastmanimpex.com